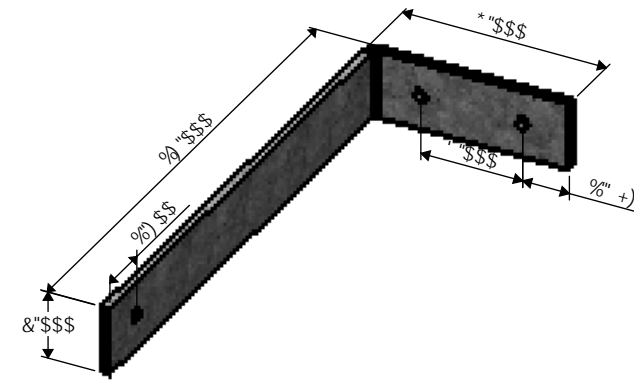
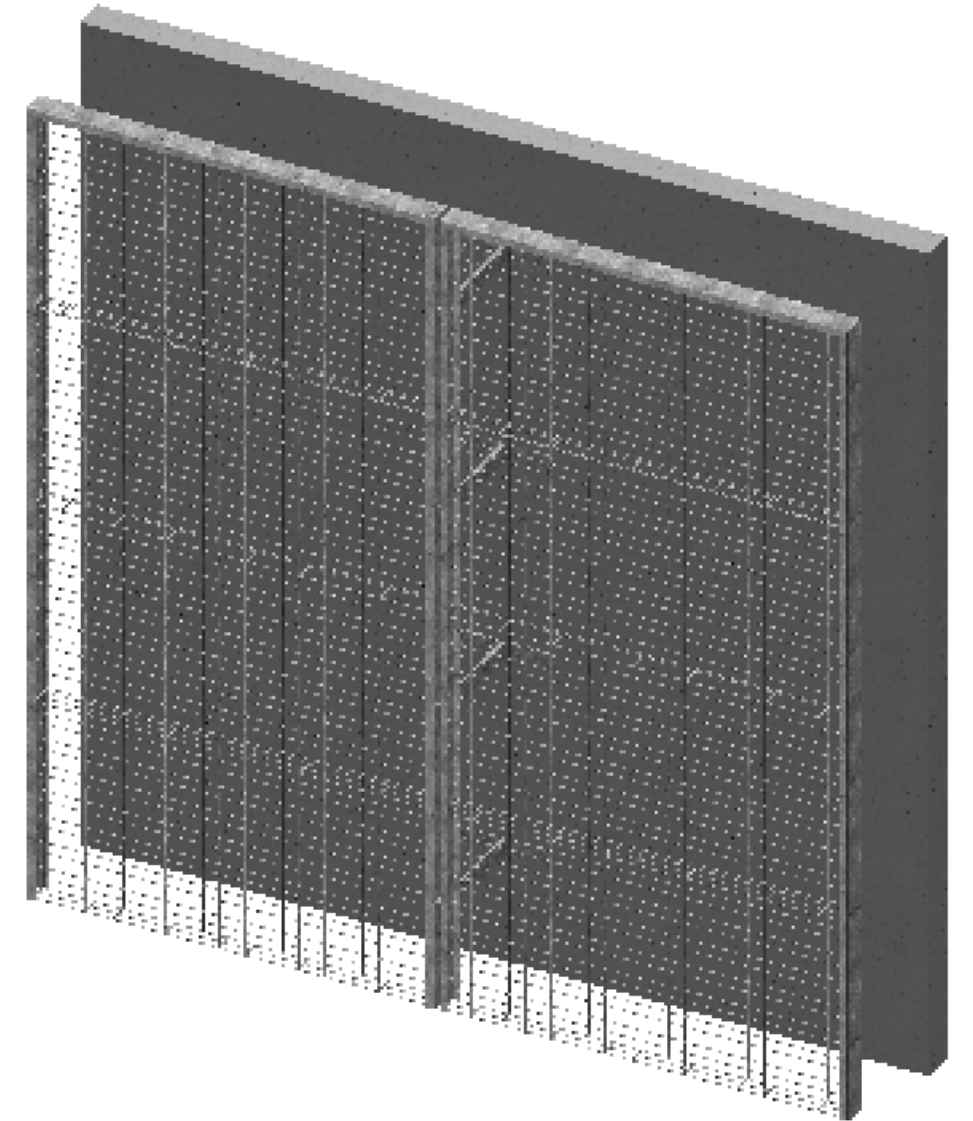
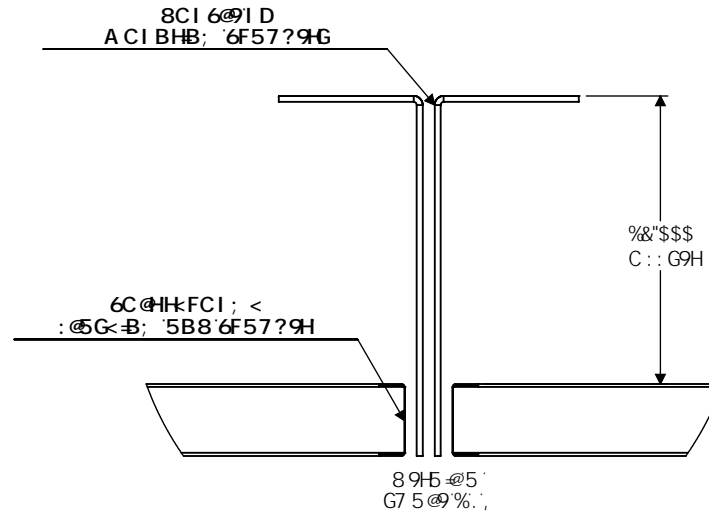
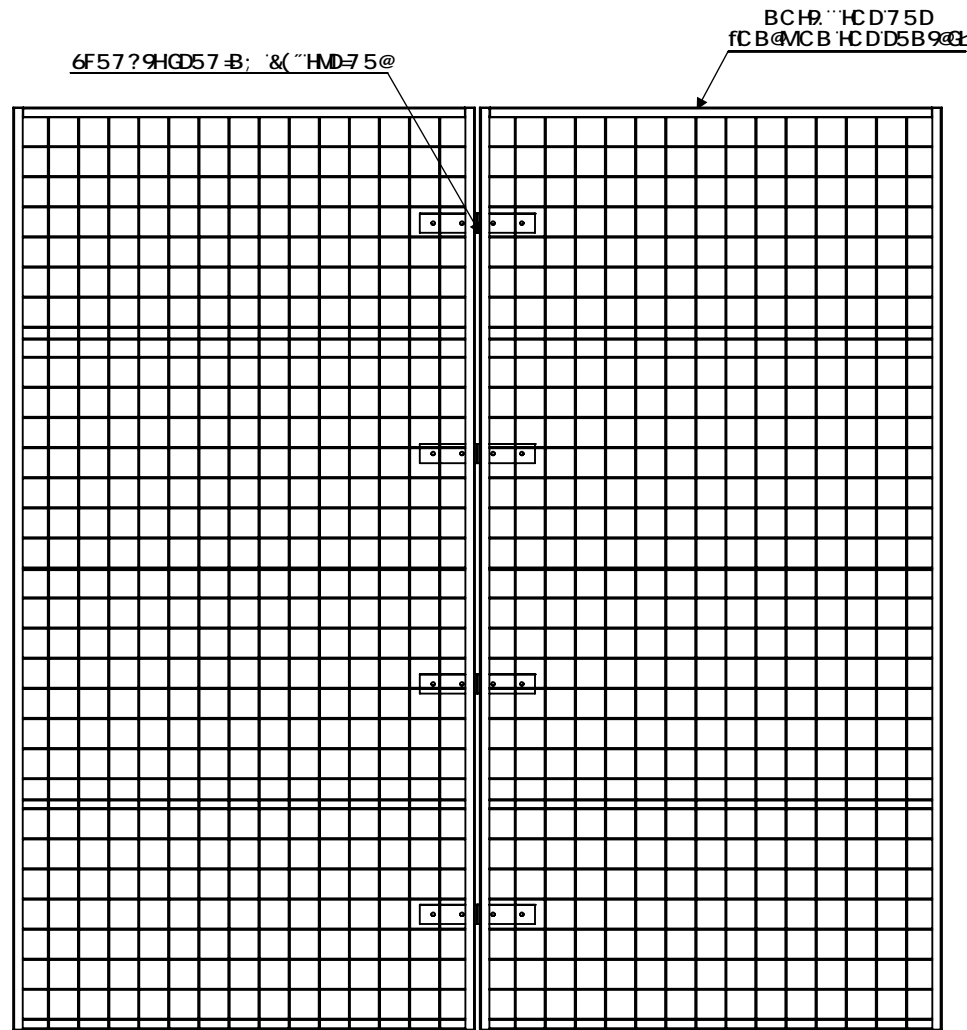
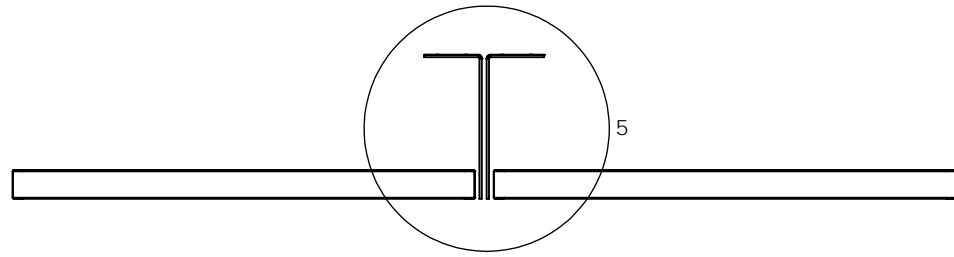


H 9'K 9GHFB; FCI D
 @J B; 'G7 F99B 'K 5@@A CI BH5H57 <A 9BHGMGHA



H-9K 9GHFB; FCI D 7 6 A GDFC DF 9EFM' - H B H-9 B: CFA 5HCB
 8 47 8C 998 <9F B' 4H 65: F998 98 H-5H5BMS88 5 @QD97 + 7 5HC BQ285H6
 5B8 89G: B 7CB7 90HG C K B G-5 @F9A 5 B 7CB: @946 @K H: H-9
 QD97 + 7 1 B 9F 98 B B @: H-5H5BMS88 5 @QD97 + 7 5HC BQ285H6
 F99FC81 7 HC B H-9F 9C: K @ @ 69 B 47 8C 998 HC C H-9F 98 B C F 1 998: CF H-9
 DI FDC 99C: A 5B1: 57 H F9 BCF DF C 7 1 F 9A 98 H B C F H-95 H 7 @ 9 B C F 05 F H
 G C K B < 9 F 98 K H C I H D F C F K F H 88: 7 C B 98 H C: H-9K 9GHFB; FCI D

1 B @ 9 G C H-9 F K 49 QD97 + 98.
 8-A 9BGC BG5F9-B B7 < 9G
 HC @F5B7 9G
 : F57 HC B5 @ ± % # &
 5B: 1 @ 5 F: A 57 < ± % # &
 HK C D @ 5 7 9 8 97 A 5 @ ± % # &
 H: F99 D @ 5 7 9 8 97 A 5 @ ± % # &



H 9'K 9GHFB; FCI D
 (S& B'K "9LDF9G5J9"
 DCFH@5B8ZCF' - +&'\$!\$' I&&'%*((

@J B; 'G7 F99B 'K 5@@A CI BHGMGHA

F9J "	89G7 F-DHC B	85H9	5DDFC J 98	8C BCHG7 5@98F5K-B;	G7 5 @. %&\$	8F5K B'6M	>F?	7 < 97 ?98 6M	G < 99H % C : %
-------	--------------	------	------------	---------------------	--------------	-----------	-----	---------------	-----------------