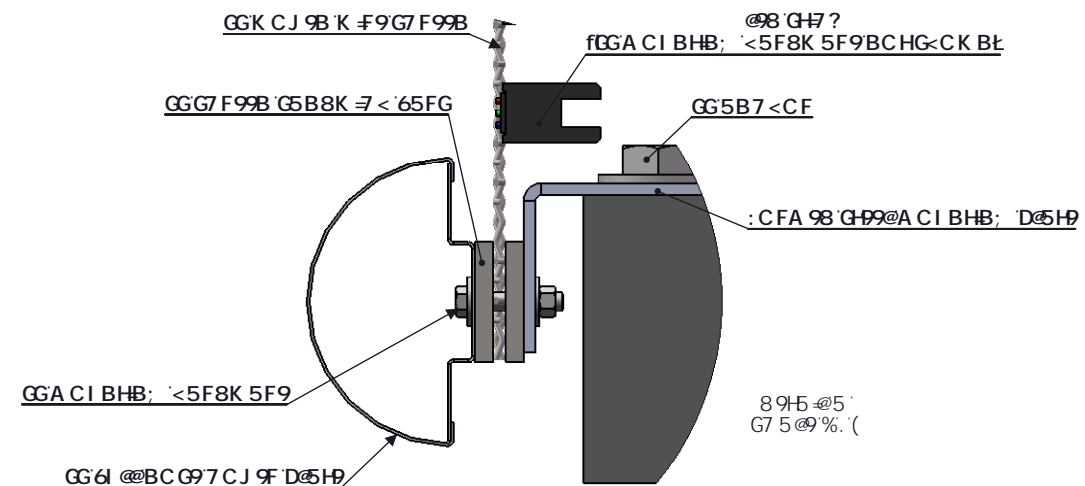
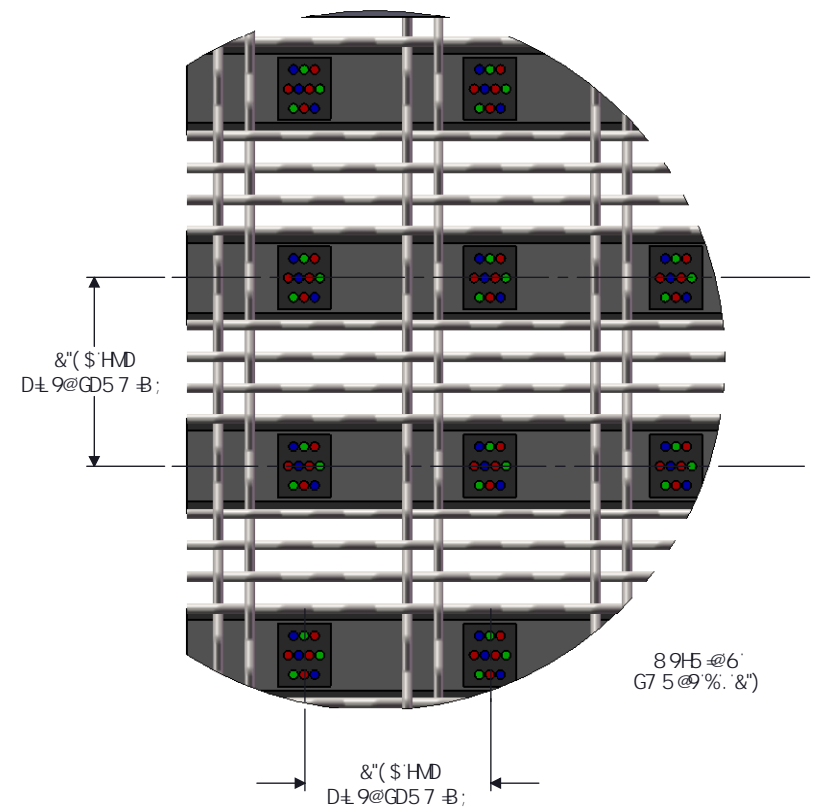


HMD 7 5@: FCBHU 9K C: 5I FCF5 K 95J 9
 A 98-5 GH7 ?GA CI BH8 69< B8 GGK CJ 9B A 9G<



HK ; 5I FCF5 K 95J 9
 D< @M; 5F5; 9DFC >97 H

H-9K 904FB : FCI D7 45 A GDFC DF 96FM" = <HB 14-9 B: CFA 5HC B
 8 47 4C 098 <9F 8" 4H65: F998 98 14-5H5BMS88 5 @Q97 = 7 5HC BQ285H6
 588 89G: B 7 C B 7 904G C K B G-5 @9A 5 B 7 C B: @946 @K 44 H-9
 Q97 = 7 1 8 9 9 0 8 8 8 8: 14-5H5BMS88 14-603FK B: 8C F 50M
 F90FC 81 7 HC B 14-9F9C: K @69 8 47 4C 098 HC C 14-96B C F 1 098 : CF 14-9
 DI FDC 09C: A 581: 57 H F9 B C F 14 C 7 1 1 9A 98HBC F 14-95H7 @9 B C F 05FH
 G<CK B <9F98 K 44C 1 H D F C F 4488 7 C B 08HC: H-9K 904FB : FCI D7

F9J GCBG			
F9J "	89G7 F4HC B	85HP	5DDFCJ 98

I B @GGC H: 9FK 49 QD97 = 98.		Hk 9K 9GH9FB; FCI D#H9BB9CC99 (S K "" (H CH 7\UHLbcc[UZH " +(%\$	
8-A 9BGC BG5F9 B B7 <9G HC @9F5B7 9G : F57 HC B5 @± % # & 5B: 1 @5F: A 57 < ± % # & HK C D@57 9897 A 5 @ ± \$ \$ % H: F99 D@57 9897 A 5 @ ± \$ \$ %		H# @. 5I FCF5 A 98-5 'G7 F99B '5 GG9A 6 @M	
A 5HP 5@ QD97 = 98	85HP.	% # & # \$ \$ -	GAN 6 8K ; "" BC " ; Ufu[YA cW i d
: B-6< QD97 = 98	8C BCHG7 5 @98F5K B:	G7 5 @. % & \$	8F5K B '6M >F? 7 <97 98 6M G<99H% C : %