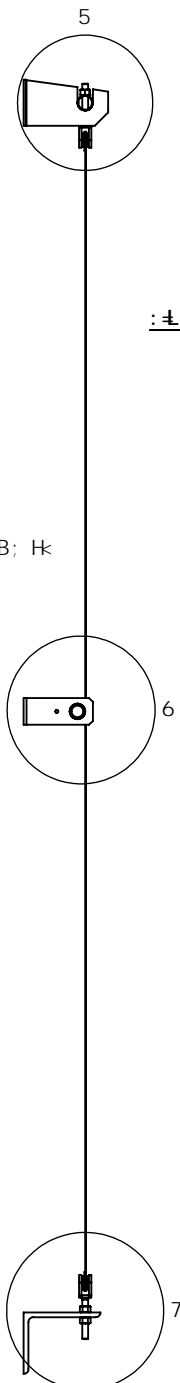
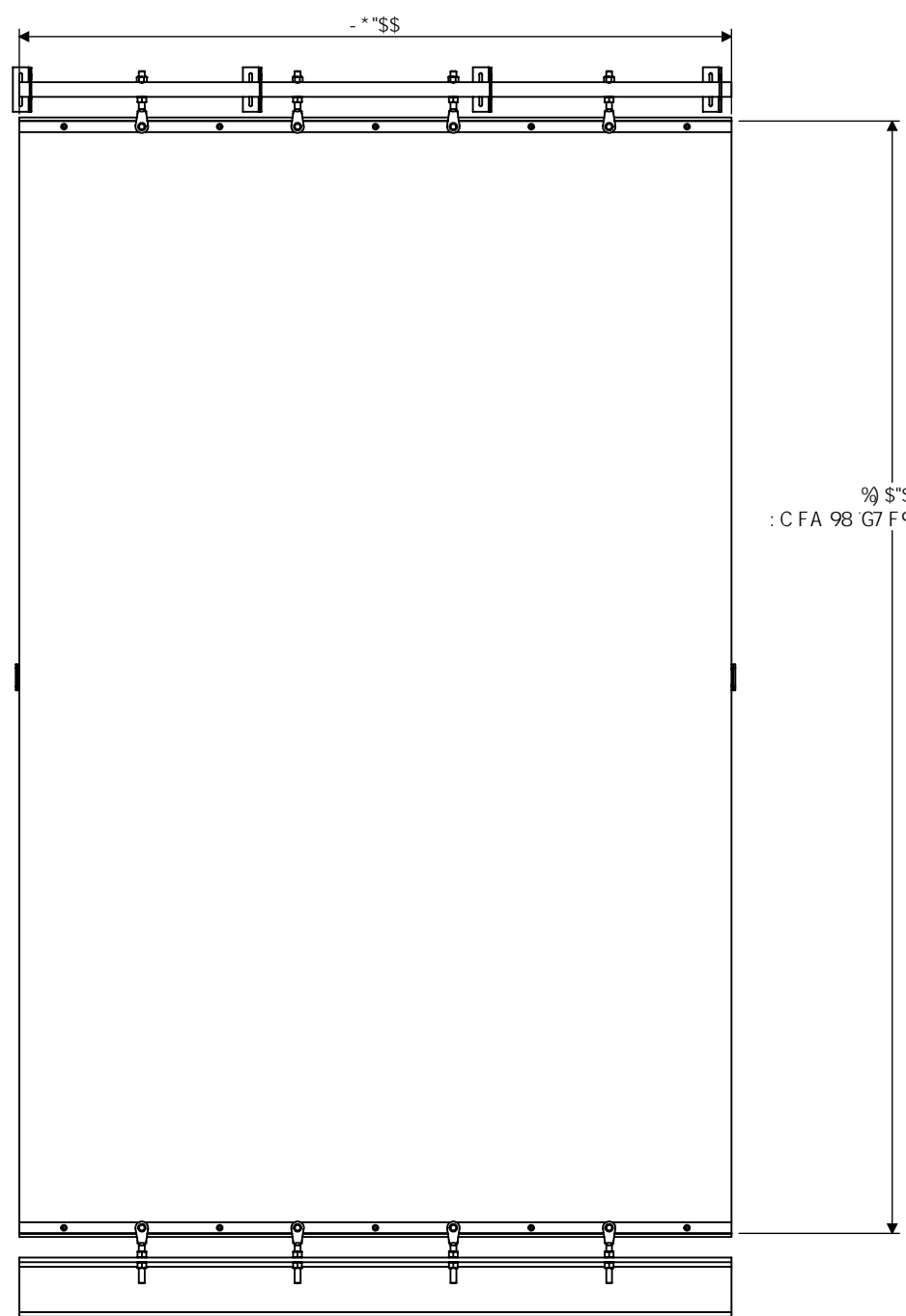
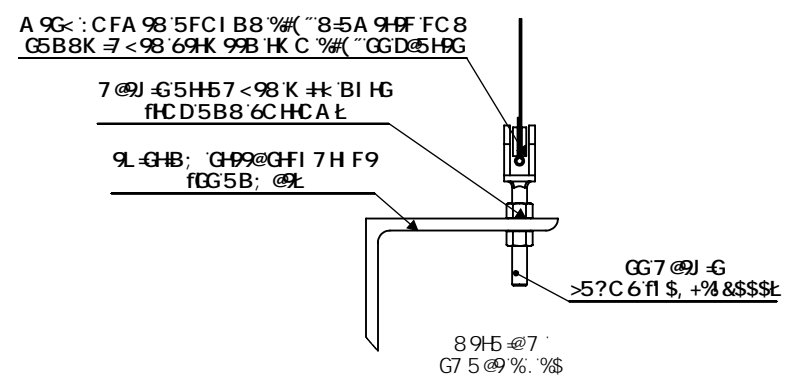
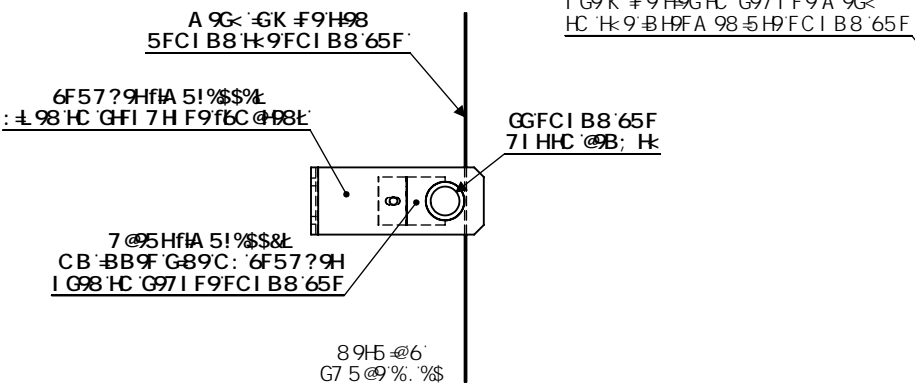
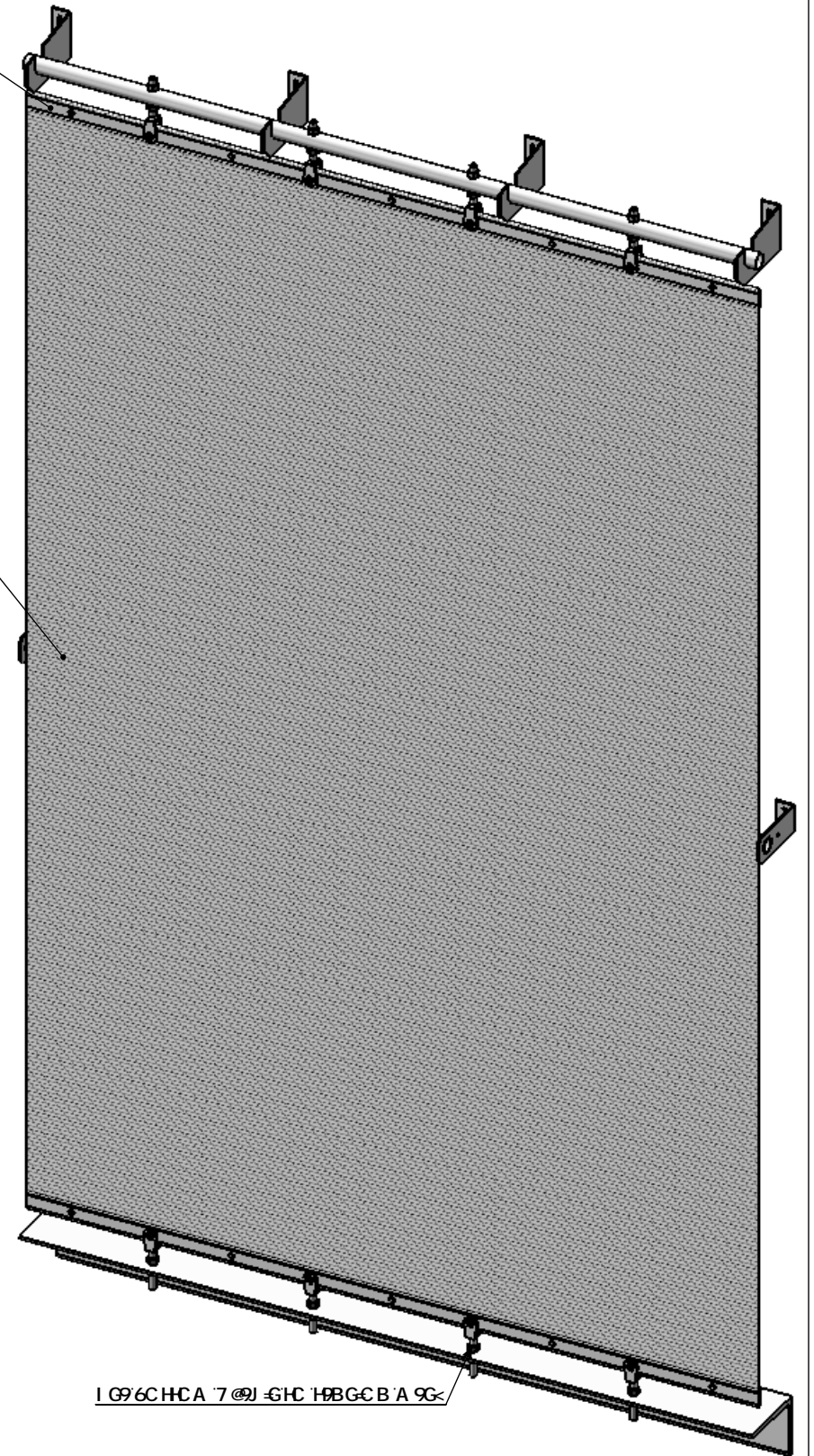
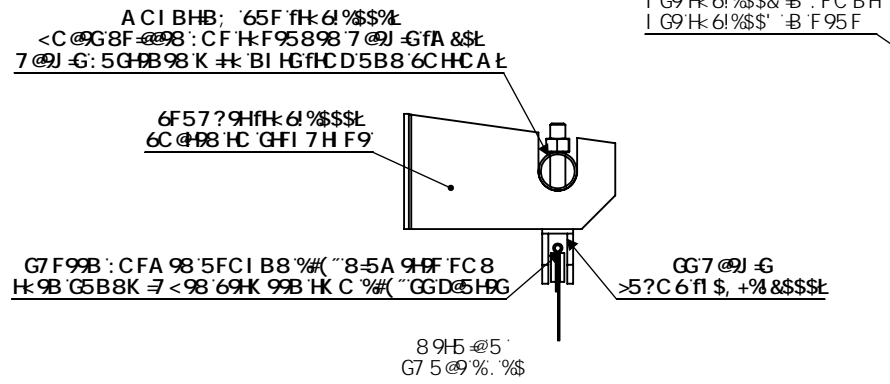


H97 < 'A 9G< '!

D5B9@	E HM	@B; H f@	K -8H fK t	A 9G<
5				
6				
7				
8				



H:9K 99FB : FCI D7 @5A GDFC DF 99FM' - H B H:9 B: CFA 5HC B
8 67 @C 98 <9F B' H 65: F998 98 H:5H5BMS88 5 @9D97 + 7 5HC BQ285H
5B8 89G: B 7 C B7 99HG C K B G:5 @9F 9A 5 B 7 C B: @946 @K H: H:9
G97 + 7 I B 9F 98 B B: H:5H5BMS88 5 @9D97 + 7 5HC BQ285H
F99FC B1 7 HC B H:9F 9C: K @969 8 67 @C 98 H C H:9F 98 C F I 98: CF H:9
D I DC 9C: A 5B: 57 H F9 B C F D C 7 I 9A 98 H B C F H:95 H 7 @9 B C F D 5 F H
G C K B <9F 98 K H: C I H D C F K F H 88 7 C B 98 H C: H:9K 99FB : FCI D7

F9J GCBG			
F9J "	89G7 F DHC B	85H9	5DDFC J 98

I B @9G C H: 9F K @9D97 + 98.
8A 98GC BG5F9 B B7 <9G HC @9F5B7 9G : F57 HC B5 @± %# & 5B: I @5F: A 57 < ± %# & HK C D @57 9897 A 5 @ ± \$ \$ \$ H: F99D @57 9897 A 5 @ ± \$ \$ \$
A 5Hf 5 @
: B <

		H: 9K 99FB: FCI D (S& B'K "9LDF9G5J9" DCFH@5B8zCF' - +&\$f1 \$ I&&L% ((
9LH9F € F '7 @588B; '7CBB97HC B		H: 9K 99FB: FCI D (S& B'K "9LDF9G5J9" DCFH@5B8zCF' - +&\$f1 \$ I&&L% ((
85H9	GAP 6	8K; "'BC"	F9J
< A 5! & \$\$\$		G< 99H% C : %	
8C B CHG7 5 @98F5K B:	G7 5 @% . %\$	8F5K B 6M	7 < 97 98 6M